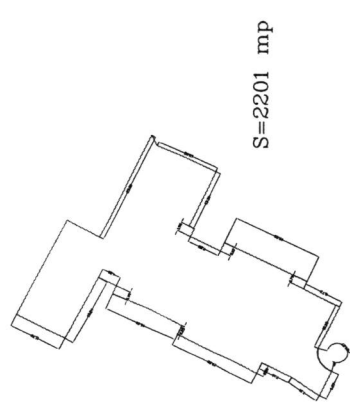
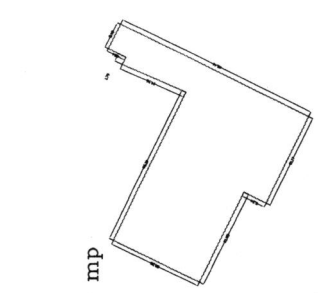


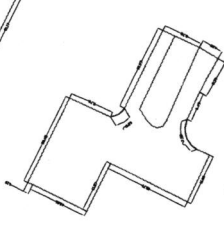
S=1123.5 mp



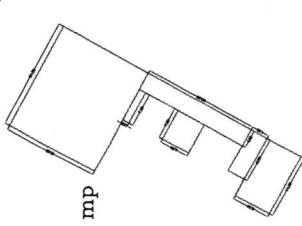
S=2201 mp



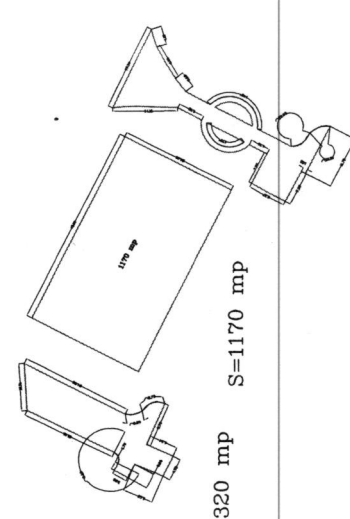
S=1149 mp



S=660 mp



S=838.5 mp



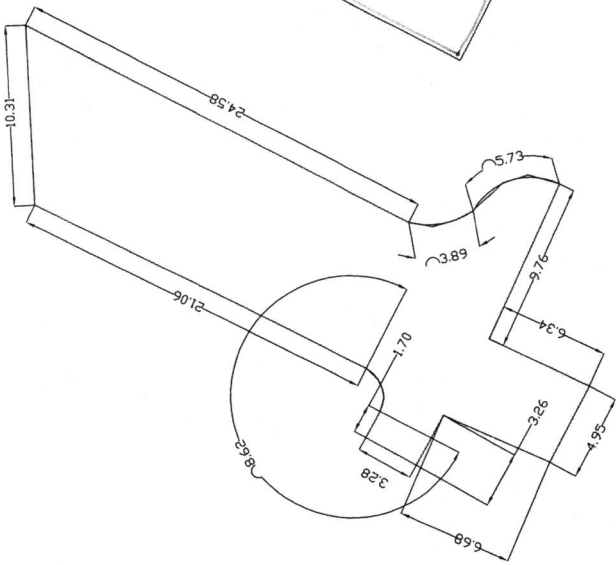
S=320 mp

S=1170 mp

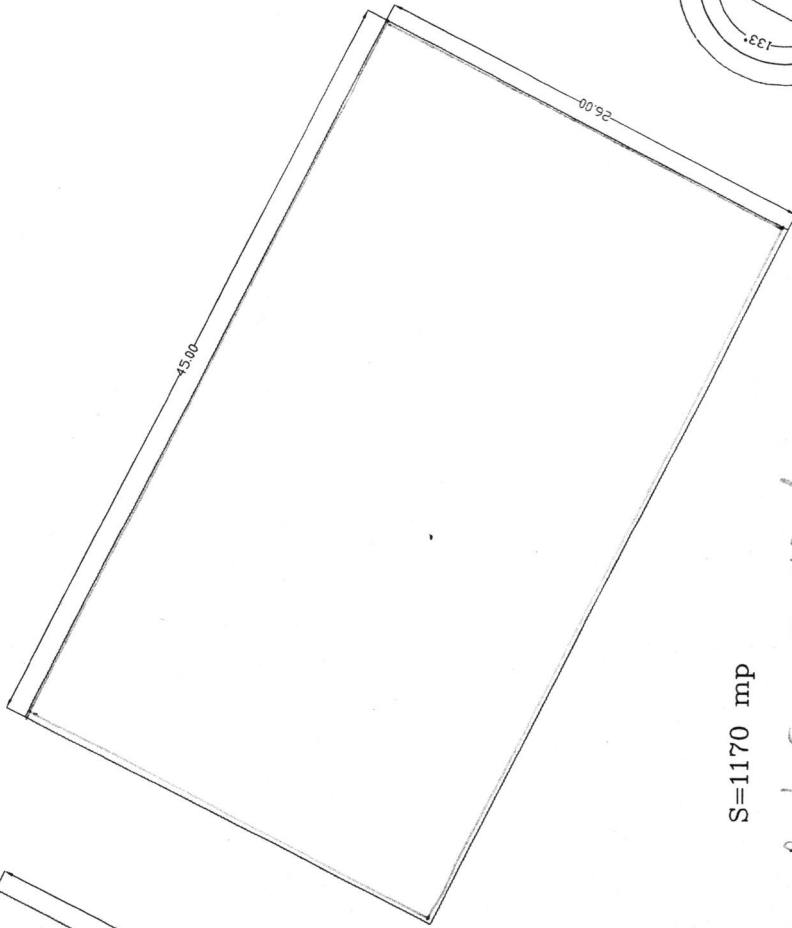
Suprafata totala=7837 mp

S=375 mp

Intocmit
Lt. Guro Valentin

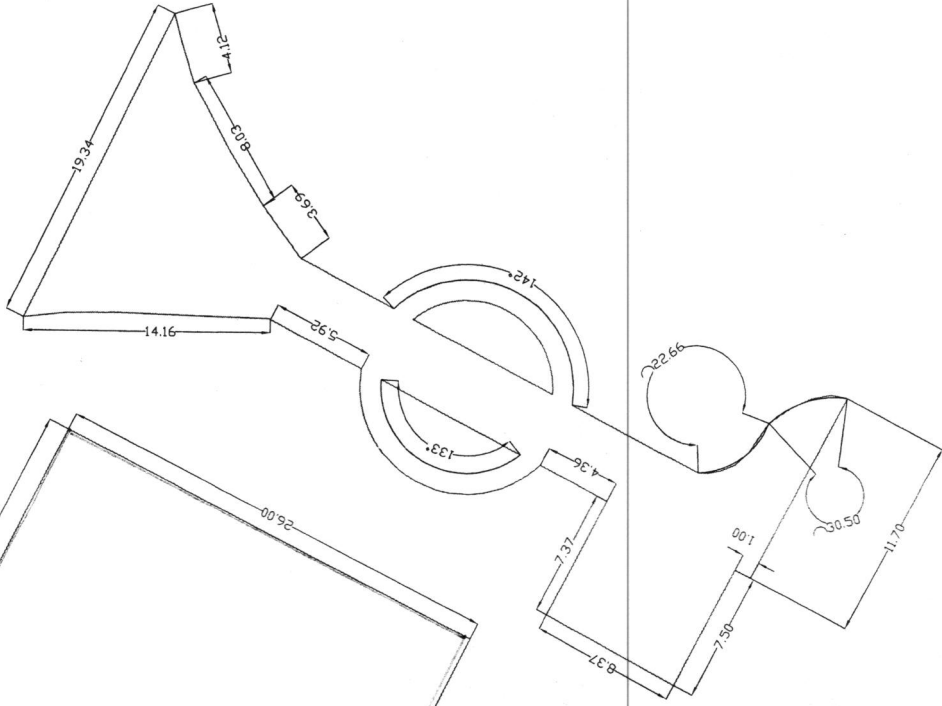


S=320 mp



S=1170 mp

Berdasarkan $10 \times 15 = 142 \text{ m}^2$



S=375 mp

